

Description

The GeoVac is an automatic, self-cleaning, screen-type water filter for onsite wastewater.

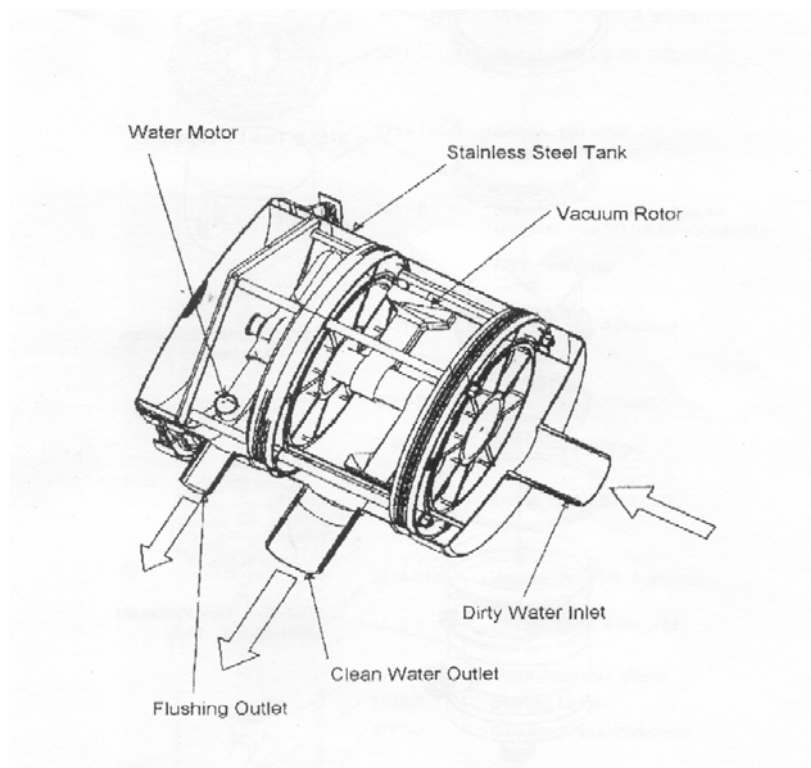
Pressurized water enters the filter inlet and travels through a fine stainless steel screen where contaminants are filtered out. The clean water then exits the flushing outlet.

A solenoid flush valve is time activated. When the flushing valve opens, the pressure differential is reduced on the area being swept by the rotating cleaning nozzles. This causes the clean water to reverse flow through the filter element as the cleaning nozzles rotate across the entire surface of the screen, pushing contaminants off the screen, through the nozzles, through the water motor and out through the flush valve.

The water passing through the angular holes in the motor creates a torsional rotation of the nozzles, thus vacuuming the entire inside diameter of the filter element.

At the end of the flushing cycle, the unit automatically returns to full filtering mode.

The entire cleaning cycle takes approximately four to six seconds and uses 2 to 4 gallons (7.6 to 15.4 liters) of water. During the filter flush cycle the filtration process continues uninterrupted.



Features

Among the many features of the GeoVac is its avoidance of the danger of forcing contaminated water back into the system.

The GeoVac filter will deliver clean water or no water.

The most predominant feature is its ability to remove organics and other suspended particles.

Note: Sand or debris may wedge itself into the fine screen and jam the nozzles, preventing motor rotation and proper cleaning.

The entire filter flushing mechanism and fine screen assembly is modular and can be removed from the filter body without having to detach the filter from supply and delivery manifolds.

Specifications

Materials:	Tank:	Stainless steel. Type 304, 18-gauge
	Vacuum Motor	Glass-filled Noryl
	Nozzle Assembly	Glass-filled Noryl
	Filter Screen	3-layer sintered stainless steel. Type 316

Standard Geo-Vac filters are made with grooved connections.

	Unit of Measure	Model/Part No.				
		GeoVac 75-02	GeoVac 150-03	GeoVac 300-04	GeoVac 600-06	GeoVac 900-08
Max Flow rate	gpm	75	150	300	600	900
Min Working pressure	psi	35	35	35	35	35
Max Working pressure	psi	125	125	125	150	150
Screen Area	inches ²	118	224	448	867	1300
Screen sizes	micron	100	100	100	100	100
	mesh	150	150	150	150	150
Max Temperature	F ^o	180	180	180	180	180
Filter Housing diameter	inches	10	10	10	15	15
Inlet/outlet diameter	inches	2"	3"	4"	6"	8"
Flushing valve diameter	inches	1"	1"	1"	1.5"	1.5"
Weight	lbs.	30	55	80	395	435
Length	inches	16- 23/32				
Pressure Loss		3psi @ 125gpm				
Flushing data at 35 psi						
Flush cycle time	seconds	20	20	20	20	20
Flush water per cycle	gallons	4	6	9	12	15
Min. flow for flush	gpm	16	20	28	35	45

